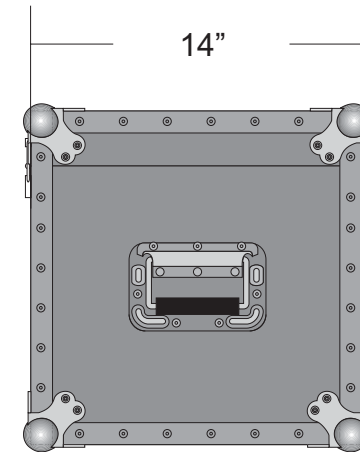
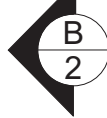
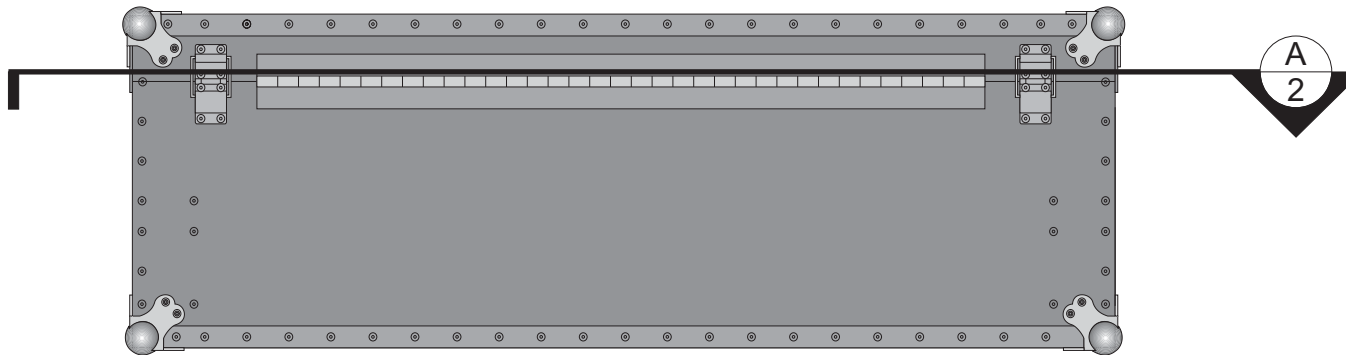


Front View



End View



Rear View




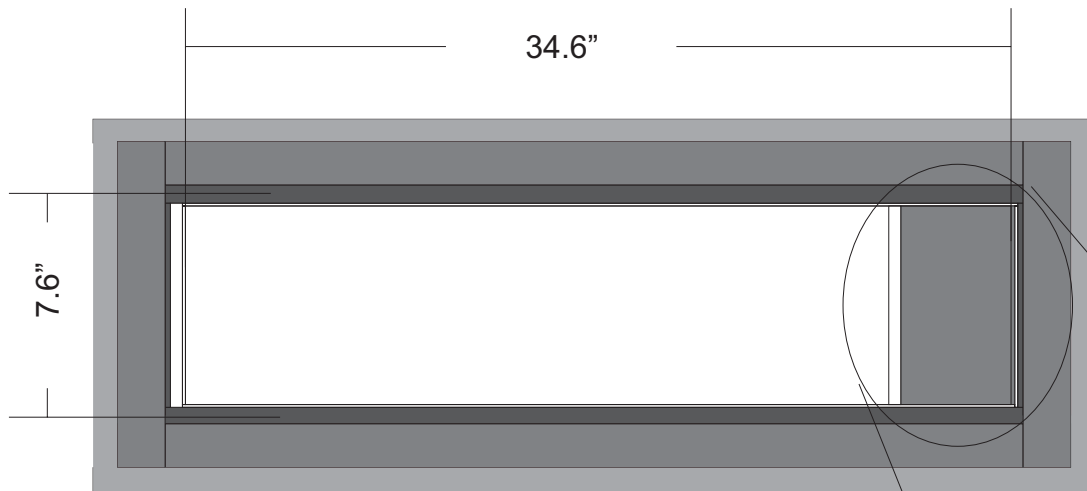
Estimated Box Weight: 59 lbs.



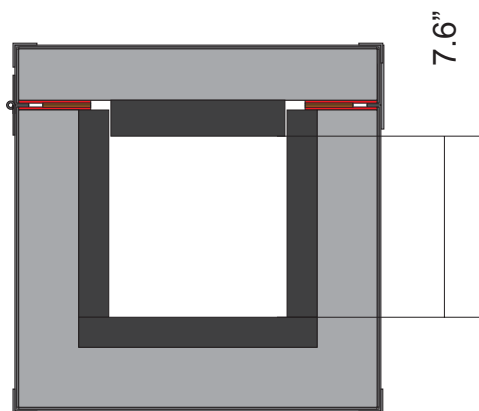
— Equipped With —  
**Akro Fireguard**  
 Thermal Protection

## HM224B SUPER BOX

 <b>Quality Carrying Cases Since 1985</b>		Drawing Number: AT-OXB-760	
		Description: 76 cf O2 Bottle Case	
Drawn By: CW	Date: 8/01/09	Sheet: 1 of 2	
Scale: 1:8	Rev.: 01		

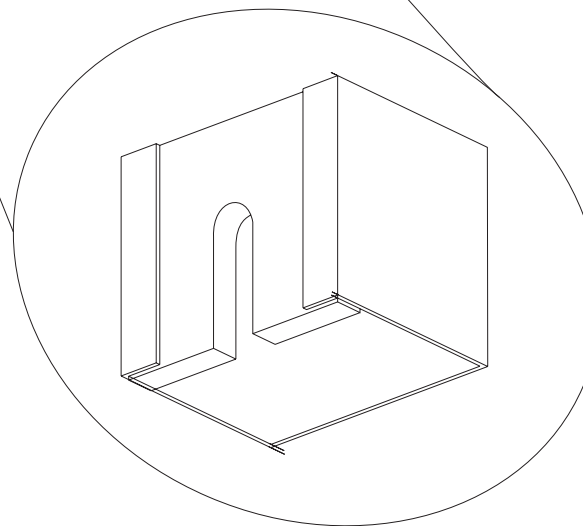


Section View - A



Section View - B

Cradle for regulator



## HM224B SUPER BOX

Estimated Box Weight: 59 lbs.



— Equipped With —  
**Akro Fireguard**  
 Thermal Protection

**Americase**  
 Quality Carrying Cases Since 1985  
 1610 East Main Street Waxahachie, TX 75165 972-937-3629 www.americase.biz

Drawing Number:	AT-OXB-760		
Description:	76 cf O2 Bottle Case		
Drawn By:	CW	Date:	8/01/09
Scale:	1:8	Rev.:	01
		Sheet:	2 of 2