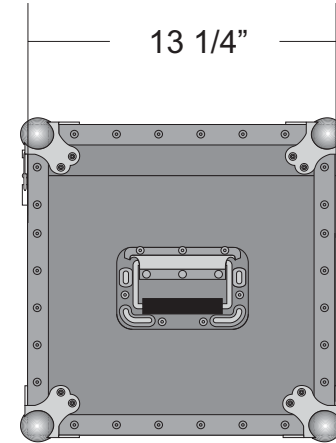
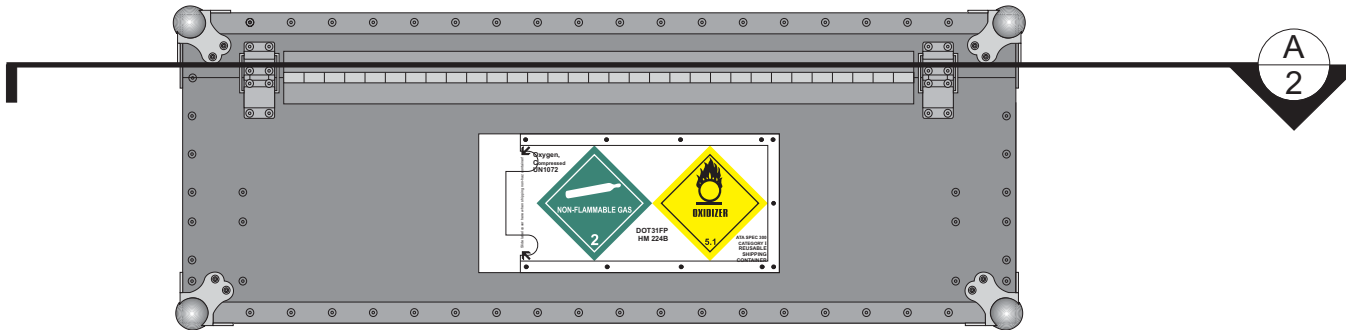


Front View



End View



Rear View




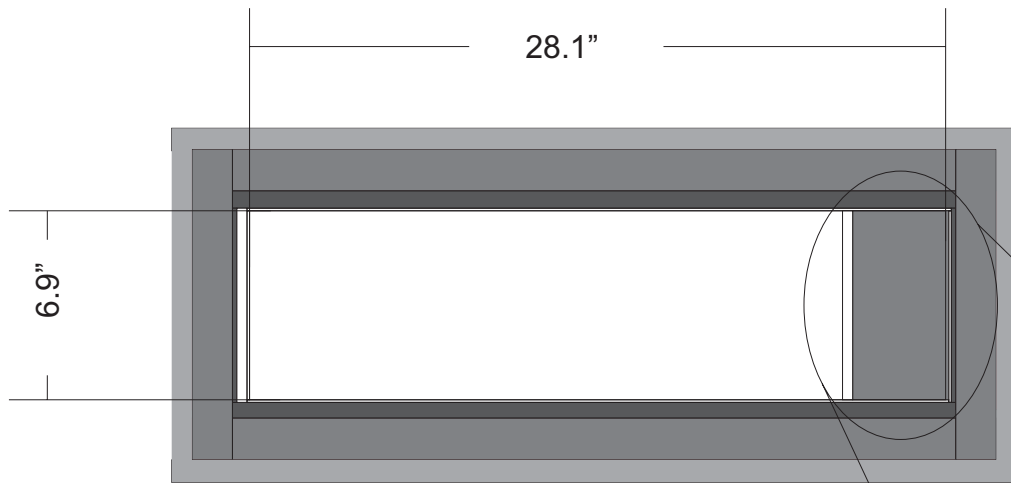
Estimated Box Weight: 50 lbs.



— Equipped With —
Akro Fireguard
 Thermal Protection

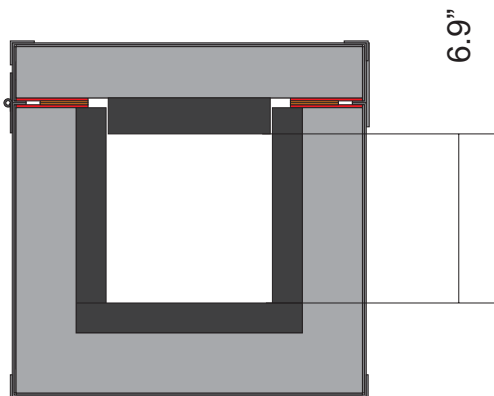
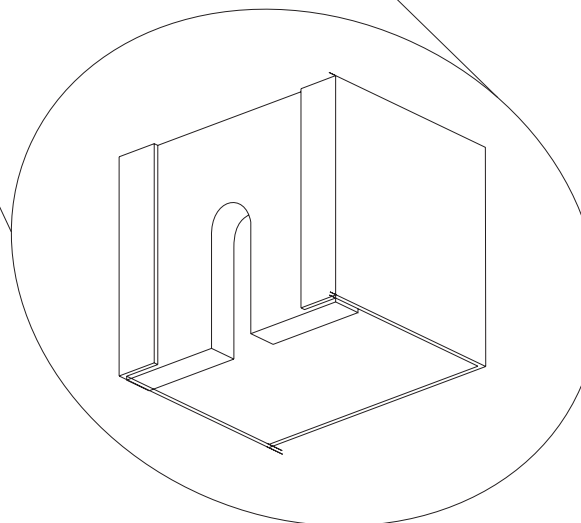
HM224B SUPER BOX

| | | | |
|---|---------------|-----------------------------------|--|
|  Quality Carrying Cases Since 1985 | | Drawing Number: AT-OXB-49 | |
| | | Description: 49 cf O2 Bottle Case | |
| Drawn By: CW | Date: 8/01/09 | Sheet: 1 of 2 | |
| Scale: 1:8 | Rev.: 01 | | |
| 1610 East Main Street Waxahachie, TX 75165 | | 972-937-3629 www.americase.biz | |



Section View - A

Cradle for regulator



Section View - B

HM224B SUPER BOX

Estimated Box Weight: 50 lbs.



— Equipped With —
Akro Fireguard
 Thermal Protection

Americase
 Quality Carrying Cases Since 1985
 1610 East Main Street Waxahachie, TX 75165 972-937-3629 www.americase.biz

| | | | |
|-----------------|----------------------|--------|---------|
| Drawing Number: | AT-OXB-49 | | |
| Description: | 49 cf O2 Bottle Case | | |
| Drawn By: | CW | Date: | 8/01/09 |
| Scale: | 1:8 | Rev.: | 01 |
| | | Sheet: | 2 of 2 |