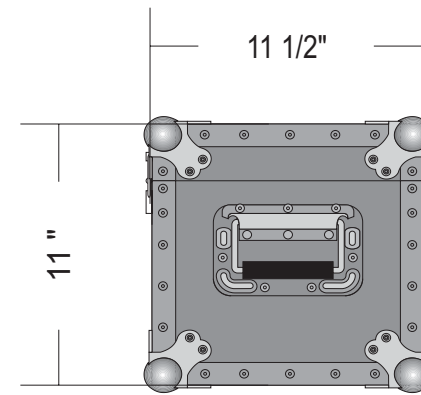
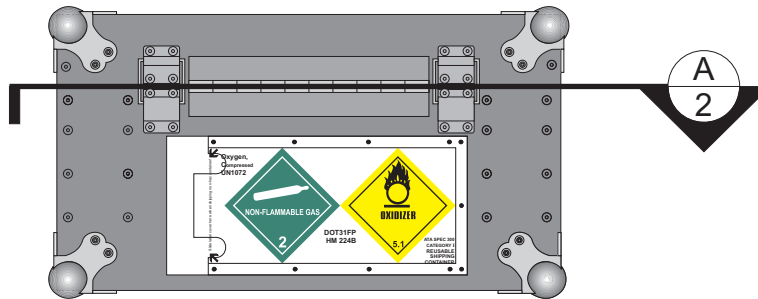


Front View



End View



Rear View




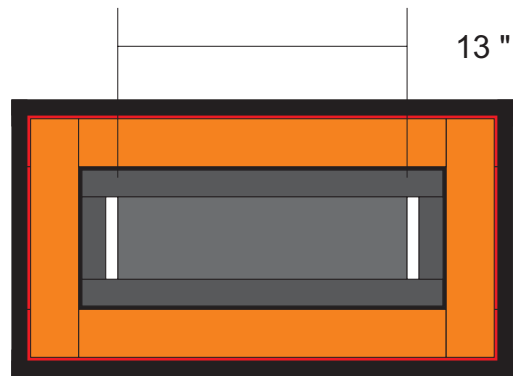
Estimated Box Weight: 30 lbs.



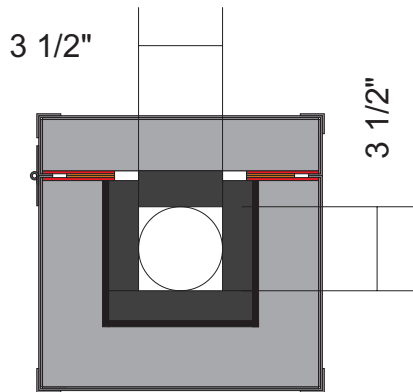
— Equipped With —
Akro Fireguard
 Thermal Protection

HM224B SUPER BOX

 Americase Quality Carrying Cases Since 1985		Drawing Number: AT-0XB-4	
		Description: 4.25 cf O2 Bottle Case	
Drawn By: CW	Date: 8/01/09	Sheet: 1 of 2	
Scale: 1:8	Rev.: 01		
1610 East Main Street Waxahachie, TX 75165		972-937-3629 www.americase.biz	



Section View - A



Section View - B

Estimated Box Weight: 30 lbs.



— Equipped With —
Akro Fireguard
 Thermal Protection

HM224B SUPER BOX

Americase		Drawing Number: AT-OXB-4	
Quality Carrying Cases Since 1985		Description: 4.25 cf O2 Bottle Case	
1610 East Main Street	972-937-3629	Drawn By: CW	Date: 8/01/09
Waxahachie, TX 75165	www.americase.biz	Scale: 1:8	Rev.: 01
			Sheet: 2 of 2