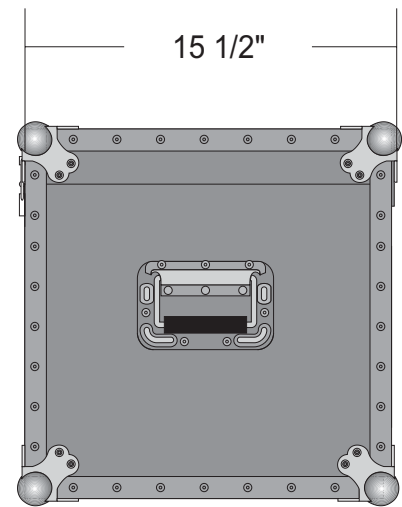
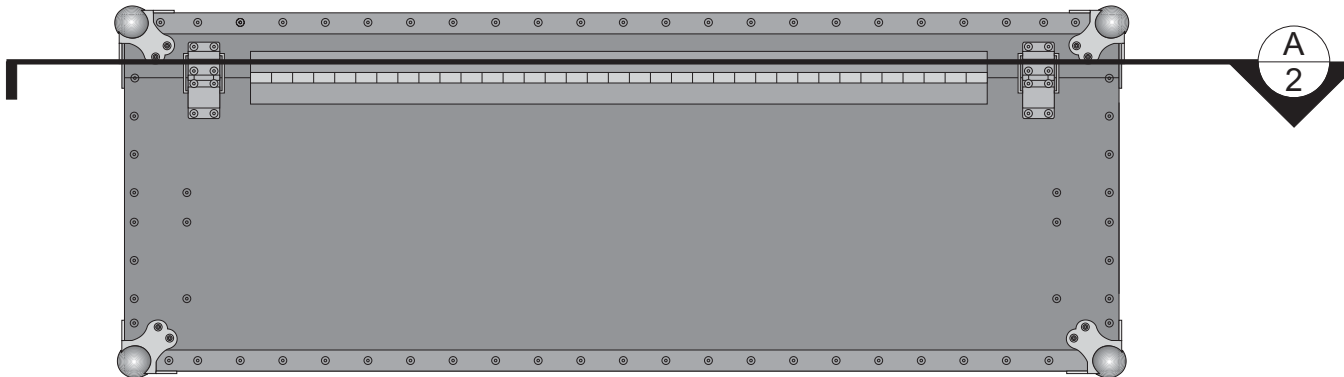


Front View



End View

Empty
Slide this label cover
over Haz-Mat Labels
when non-dangerous.



Rear View

Estimated Box Weight: 66 lbs.



— Equipped With —
Akro Fireguard
Thermal Protection

HM224B SUPER BOX



Quality Carrying Cases Since 1985

1610 East Main Street 972-937-3629
Waxahachie, TX 75165 www.americase.biz

Drawing Number: AT-OXB-115

Description: 115 cf O2 Bottle Case

Drawn By: CW

Date:

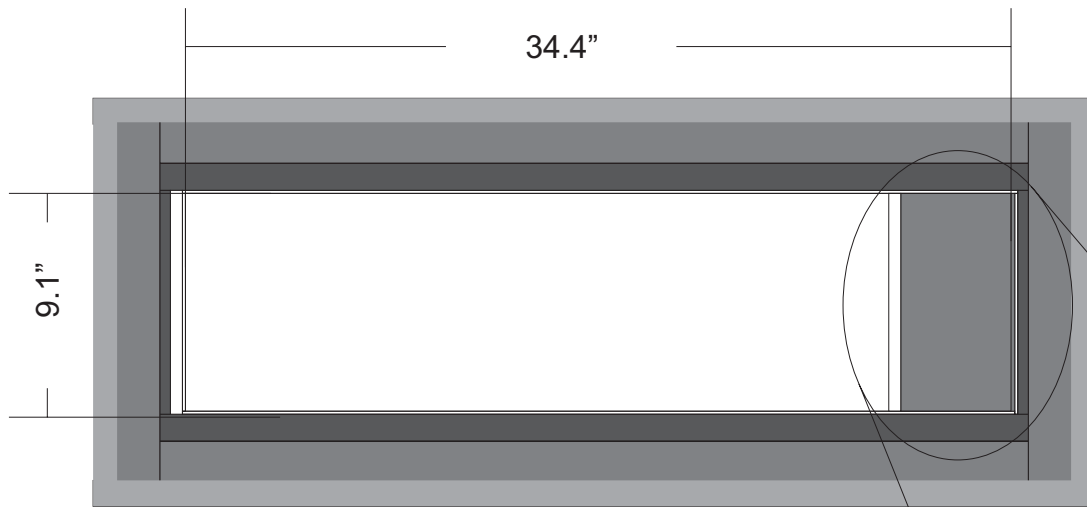
Sheet:

Scale: 1:8

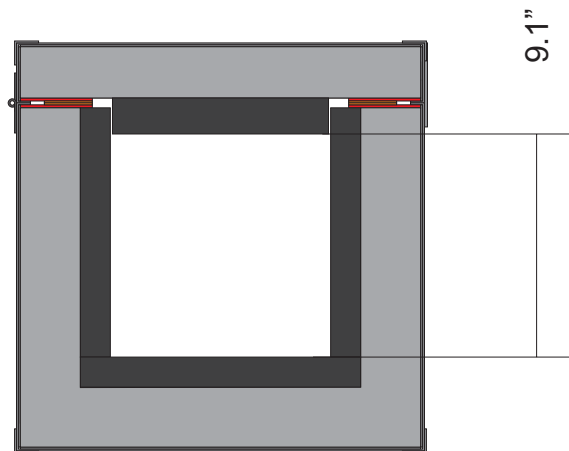
Rev.: 01

8/01/09

1 of 2

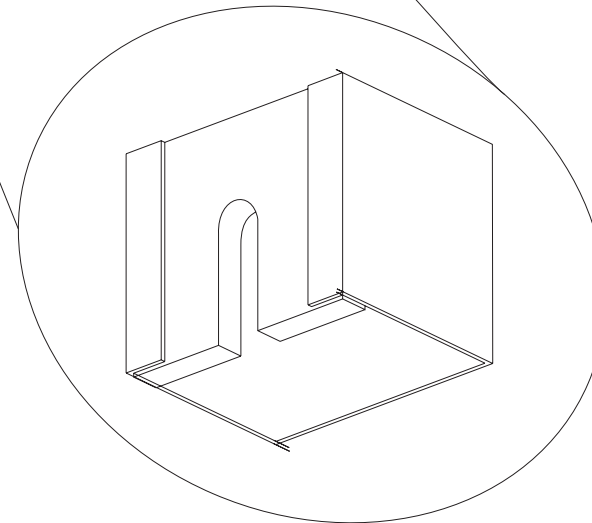


Section View - A



Section View - B

Cradle for regulator



HM224B SUPER BOX

Estimated Box Weight: 66 lbs.



— Equipped With —
Akro Fireguard
 Thermal Protection

Americase
 Quality Carrying Cases Since 1985
 1610 East Main Street Waxahachie, TX 75165 972-937-3629
www.americase.biz

Drawing Number: AT-OXB-115		Description: 115 cf O2 Bottle Case	
Drawn By: CW	Date: 8/01/09	Sheet: 2 of 2	
Scale: 1:8	Rev.: 01		