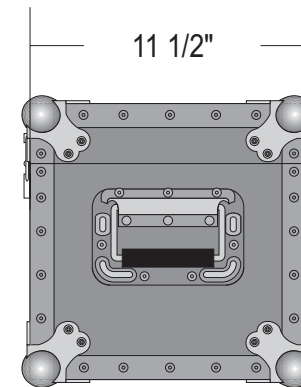
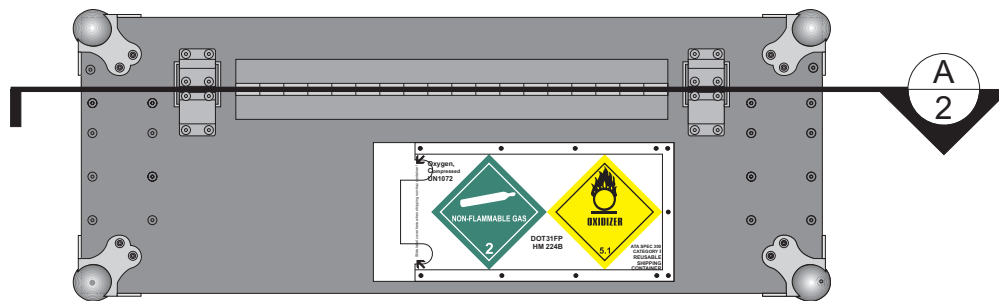


Front View



End View



Rear View




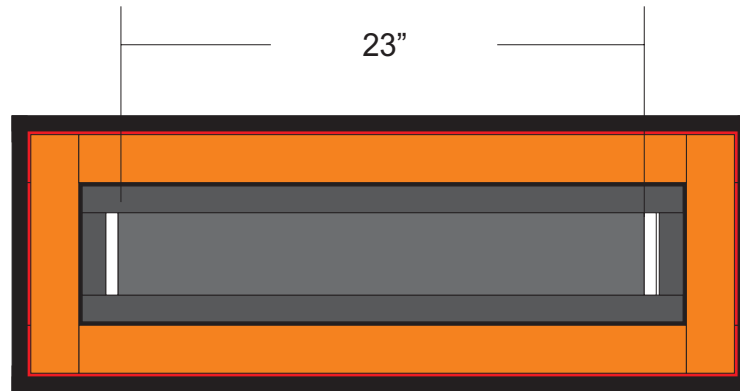
Estimated Box Weight: 37 lbs.



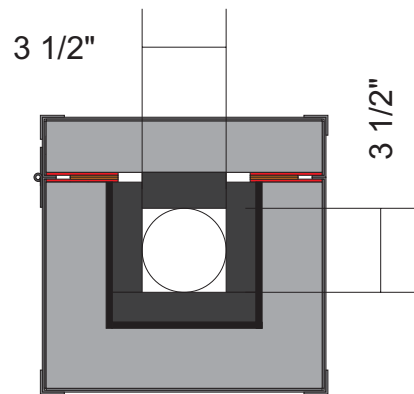
— Equipped With —  
**Akro Fireguard**  
 Thermal Protection

## HM224B SUPER BOX

 <b>Quality Carrying Cases Since 1985</b>		Drawing Number: AT-OXB-11	
		Description: 11 cf O2 Bottle Case	
Drawn By: CW	Date: 8/01/09	Sheet: 1 of 2	
Scale: 1:8	Rev.: 01		



Section View - A




Section View - B

Estimated Box Weight: 37 lbs.



— Equipped With —  
**Akro Fireguard**  
 Thermal Protection

## HM224B SUPER BOX

 <b>Americase</b> Quality Carrying Cases Since 1985		Drawing Number: AT-OXB-11	
		Description: 11 cf O2 Bottle Case	
Drawn By: CW		Date:	Sheet:
1610 East Main Street 972-937-3629 Waxahachie, TX 75165 www.americase.biz		8/01/09	2 of 2
Scale: 1:8	Rev.: 01		